

JZL-9: LID FOR LARGE SHU TRAYS



MATERIAL: Polycarbonate

- Break and stain resistance
- Increased scratch resistance
- Durable
- Withstands temperatures from -32 to 225 degrees Fahrenheit
- Dishwasher safe
- Microwave safe
- Reusable and recyclable

DESIGN: lid for large SHU trays

- Compatible with both ST-9300 and ST-9400 trays
- Stackable
- Bi-directional fit
- Beaded rim for added durability
- Raised rim for easy grip
- Specially designed overhang on lid for less breakage
- Concave center for strength, secure stacking, and conformed sealing

COLORS:

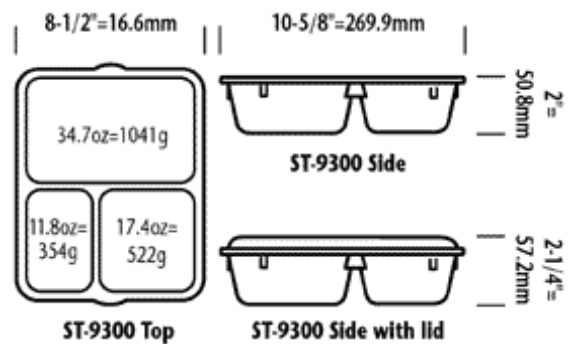
CLEAR

DIMENSIONS:

Length: 10.88" Width: 8.94" Height: 0.5"

Height with tray: 2.25"

CASE PACK: 24 lids per case



June 2015



www.joneszylon.com