

SPARTAN

MULTI-GYM

Introducing The SPARTAN. A fresh take on the original Helios Multigym, the SPARTAN features no moving parts, and over 32 different exercises.

Real Fitness Equipment for Real Results

The SPARTAN Multigym takes the basics of indoor fitness equipment and delivers them to the outside world in a tamperproof, weatherproof, and durable package. Compact, cost effective and completely safe with no moving parts, the Spartan is designed for any fitness level or ability.



 **TAMPERPROOF.**  **WEATHERPROOF.**  **SAFE.**

ABSOLUTELY NO MOVING PARTS

The SPARTAN is built with absolutely no moving parts. It offers the same exercises and features of our original Helios Multigym, without the assist mechanism. In its place is a fixed "assist lip" to still provide assistance for chin ups and dips.

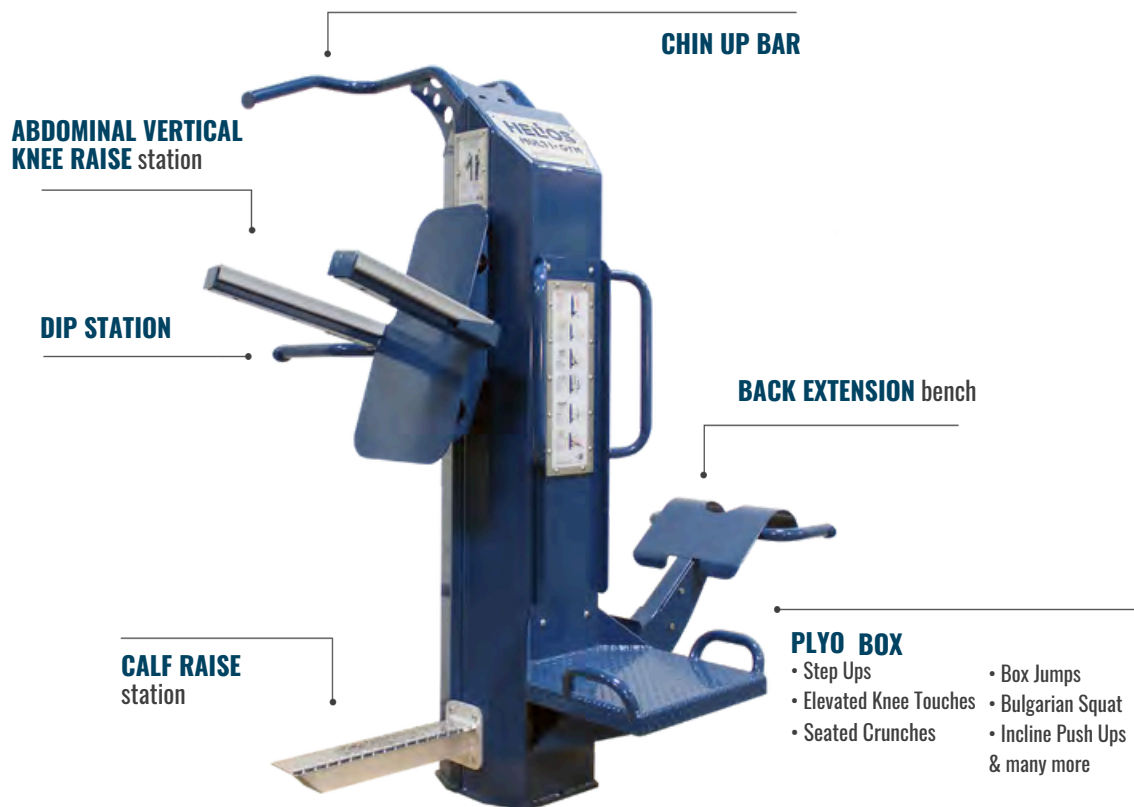
32+ DIFFERENT EXERCISES

The SPARTAN is designed with over 32 different exercises, offering a full body workout. With adjustability where needed, and functional fitness stations like our 16" plyo box, the SPARTAN is suitable for users of all fitness levels and abilities.

MAINTENANCE FREE

The SPARTAN is a rugged, compact outdoor multigym designed to deliver real exercise while withstanding any climate or environment. Its easy installation, maintenance-free design, and industry-leading 15-year warranty make it the top choice for unsupervised spaces like public parks.

The SPARTAN is built to maximize indoor or outdoor exercise areas, with 32 exercises available:



TECHNICAL SPECIFICATIONS



Width: 80" / 204 cm
Length: 65" / 166 cm
Height: 85" / 216 cm
Weight: 620 lbs / 282 kg
Fall Height: 84" / 213cm
Use Zone: 12'8" x 11'9"
Shipping Weight: 585 lbs / 265 kg
Shipping Dimensions: 44" wide x 45" long x 85" high / 112 cm wide x 122 cm long x 216 cm high



Instructional Placards: Reverse print with UV-stabilized ink on 1/4" thick Lexan. Bolted to the columns with a stainless steel trim ring using stainless steel carriage bolts.

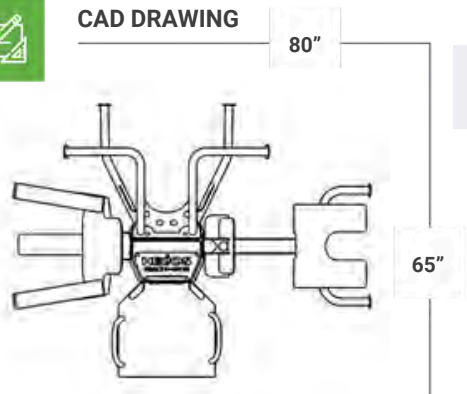
Frame: Constructed of 3/16" and 1/4" thick heavy-duty steel. All fasteners are tamperproof stainless steel carriage bolts with a smooth, rounded head and square neck. The locking nuts are shielded behind a padlocked access hatch.

Finish:

- All parts have surfaces prepped and cleaned of all mill scale, rust, oils, and dirt using shot blast and/or chemical wash.
- Primer coat is applied with epoxy zinc-rich primer (3-4 mil thickness) and cured in oven. Primer designed for superior rust protection. Tested for 3000 hours of salt spray resistance.
- Top finish coat is applied with TGIC-FREE weather-resistant polyester powder (3-4 mil thickness) and cured in oven. Tested for 1500 hours of salt spray resistance.
- All parts inspected to be free of paint defects prior to shipping.



CAD DRAWING



Accessibility: It is the manufacturers' opinion that the Spartan Multigym conforms to the A.D.A. accessibility standard, assuming an accessible protective surfacing is provided or within the entire use zone.